



SYMCOD

CoPilot XPe



Specifically designed to meet data collection needs requiring a graphical interface, the CoPilot XPe is the perfect companion for your computer applications in a dry industrial environment. It features a 7-inch color touch screen that is ideal for displaying reduced scale industrial drawings, production graphics, work orders, etc. Made from durable polycarbonate and equipped with XP Embedded operating system, the CoPilot XPe provides a user-friendly data control and access point for manufacturing plants.

*Optional barcode slot reader.

Features

- 7-inch colour touch screen of 800 X 600 or 800 X 480
- Dust resistant
- Heavy-duty polycarbonate casing
- Practical RamBall stand included
- 3 USB ports, 1 serial port RS-232, 1 Ethernet Port 100BaseT
- WiFi 802.11B/G, attached barcode slot reader, proximity reader, biometric reader available as option.
- Windows XP Embedded
- Can be used in Thin Client or PC mode
- Audio port I/O

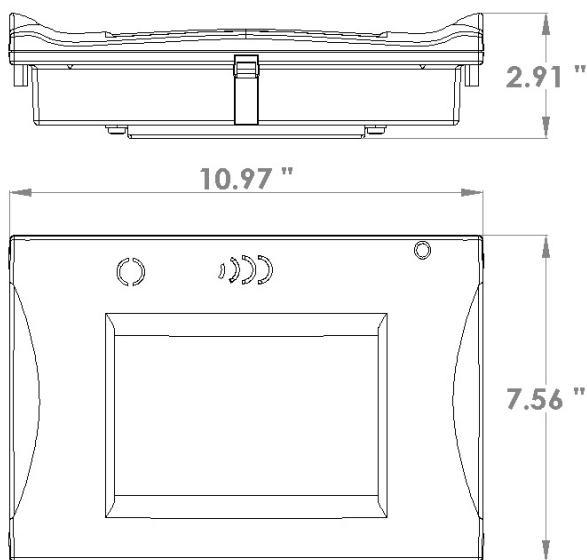
Examples of uses

- Operation control terminal
- Quality control terminal
- Weight input station for electronic scales
- Display of work orders
- Display of part lists with photographs
- 3D viewing of parts
- Label printing station
- Information Access Kiosk



CoPilot XPe Dimensions

CoPilot XPe



Ram Mount with VESA plate for CoPilot XPe



VESA plate has 75x75MM hole patterns. Mount is 7.35" tall at maximum extension and is collapsible. Constructed of marine grade aluminum with stainless hardware and black powder coat finish. Rubber ball and socket feature dampens shock and vibration

General Characteristics

Microprocessor: Intel Atom 1.6 Ghz
RAM: 2 GB
ROM: 2 GB flash drive
Screen: 7" WGA resistive touch screen • 24-bit LCD TFT (800 x 480) or (800 X 600) colour screen.
Inputs / Outputs: • 1 serial port • 3 USB ports • 1 Ethernet 100BaseT port • 1 audio I/O
Operating system: Microsoft Windows XP Embedded
Stand: Ram Mount included
Recommendations for installation: Ethernet: Flexible CAT5 UTP (*Unshielded twisted pair*) cable, 24 AWG, 4 pairs, stranded Ethernet: Fixed CAT5 UTP (*Unshielded twisted pair*) cable, 24 AWG, 4 pairs, solid
Other: Blue LED • Internal Speaker
Certification: CE • FCC • RoHS available
Limited warranty: 1 year on parts and labour at our workshop (*extended warranty available*)

Physical Characteristics

Weight:
 Without Ram Mount and Power supply 2.62 lbs (1.2 kg)
 With Ram Mount and no power supply 3.92 lbs (1.8 kg)
 With Ram Mount and power supply 5.44 lbs (2.5 kg)
Power supply: 120/240 V AC 60/50 HZ (*external*)
Casing and stand: Polycarbonate and Aluminum
Dimensions: Without Ram Mount
 10.97" (27.9 cm) length X 7.56" (19.2 cm) width X 2.91" (7.4) Depth

Accessories and Option

WiFi 802.11b/g with external antenna • Keyboard shelf
 • Barcode Slot reader • Proximity reader • Biometric reader
 • Sealed SKM keyboard • External reader: CCD, laser, pencil, etc.

Environment

Operating temperature: 5°C to 40°C (41°F to 104°F)
Storage temperature: -20°C to 60°C (4°F to 140°F)
Relative humidity: 20% to 80% without condensation